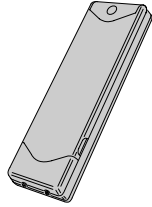


# MDTK



## DIGITAL KEYPAD TRANSMITTER

### Installation Instructions



**Linear**  
(760) 438-7000 • FAX (760) 438-7043  
www.linearcorp.com

### DESCRIPTION

The MDTK Digital Keypad is one of Linear's MegaCode series of wireless radio controls designed for use with automatic garage door and gate operators. The MegaCode radio format provides unparalleled security with more than a million different codes.

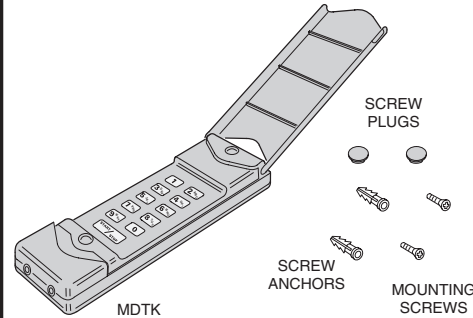
In operation, the user enters their unique code on the unit's keypad (1 to 6 digits long) and presses the START/STOP button to activate the door operator. For up to 30 seconds after the last activation, the MDTK can be re-triggered by simply pressing the START/STOP button again. This allows the user to stop or reverse the opener quickly, without having to re-enter their code.

The MDTK has built-in keypad lighting for use at night or in dark areas. The clear silicone keys are backlit with a pleasing green glow. By pressing the START/STOP button first, before entering their code, the user can light up the keypad. Pressing the START/STOP button twice at any time will light up the keypad.

The keypad lockout timer will disable the keypad after 10 activations. The keypad must remain idle for 30 seconds before new attempts.

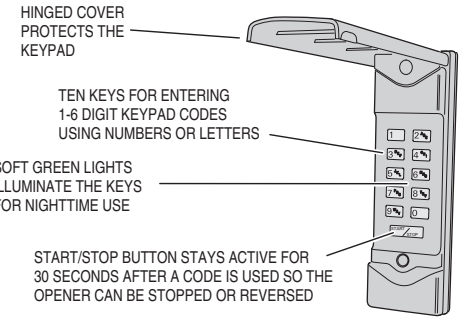
MegaCode receivers are programmed by sending a signal from the user's transmitters. This stores the transmitter's code into the receiver's memory. The receiver will retain its memory even without power and will only activate from these "memorized" transmitters. Each MDTK keypad code can be considered a different transmitter. Each MegaCode receiver can remember a maximum of 10 transmitters (40 for gate receivers). Any combination of portable transmitters and keypad codes up to the maximum number can be entered.

### MDTK COMPONENTS



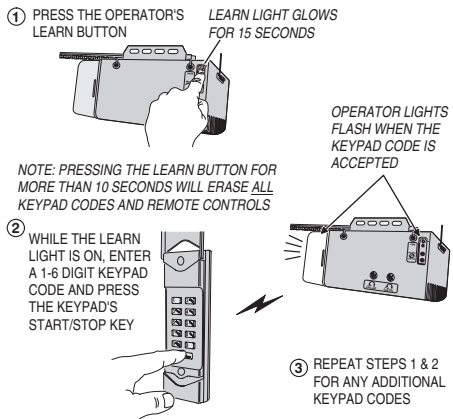
THE MDTK CAN BE PROGRAMMED INTO LINEAR'S MEGACODE GARAGE DOOR OPERATORS AND RECEIVERS ONLY

### KEYPAD FEATURES



NOTE: FOR SECURITY, THE KEYPAD WILL SHUTDOWN AFTER 10 CODE ENTRIES UNTIL IT IS IDLE FOR 30 SECONDS

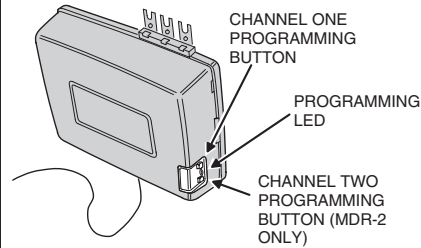
### PROGRAMMING OPERATORS



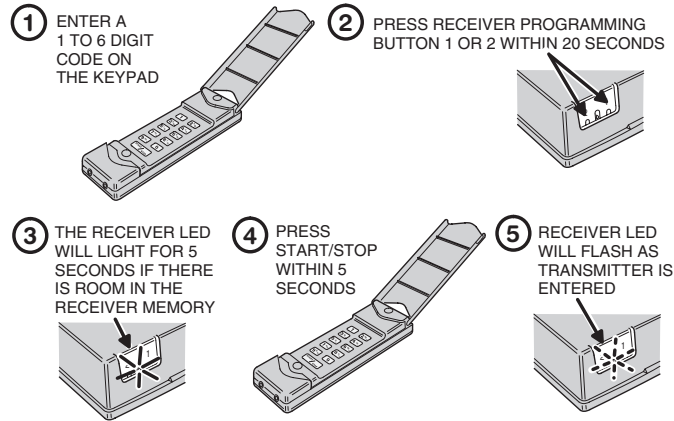
NOTE: PRESSING THE LEARN BUTTON FOR MORE THAN 10 SECONDS WILL ERASE ALL KEYPAD CODES AND REMOTE CONTROLS

### PROGRAMMING RECEIVERS

THE MDTK CAN BE PROGRAMMED INTO MDR, MDR-2, MDRG AND SMDRG RECEIVERS. LOCATE THE PROGRAM BUTTON(S) AND LED ON THE SIDE OF THE RECEIVER CASE.



CONNECT AND POWER THE RECEIVER AS DESCRIBED IN ITS INSTALLATION INSTRUCTIONS.

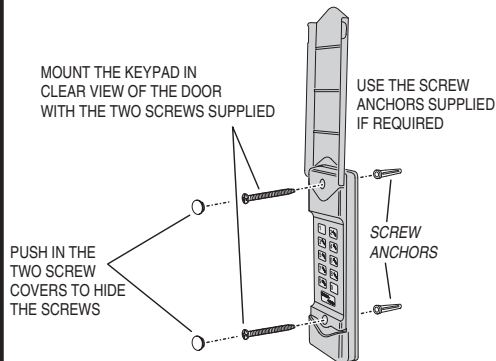


NOTE: Be sure to press the receiver program button for less than 2 seconds.

WARNING: Door operator will not activate when the receiver is being programmed from the transmitter, but the door operator will activate the next time the transmitter is activated after programming.

NOTE: The programming LED also monitors radio signals entering the receiver. It is common to see an occasional blink from the LED. The LED will also light when any transmitter tuned to the receivers frequency (programmed into the receiver or not) is activated.

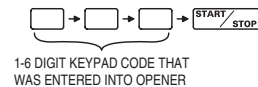
### WALL MOUNTING



### KEYPAD OPERATION

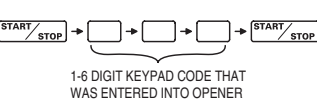
#### DAYTIME OPERATION

- ENTER THE KEYPAD CODE
- PRESS START/STOP



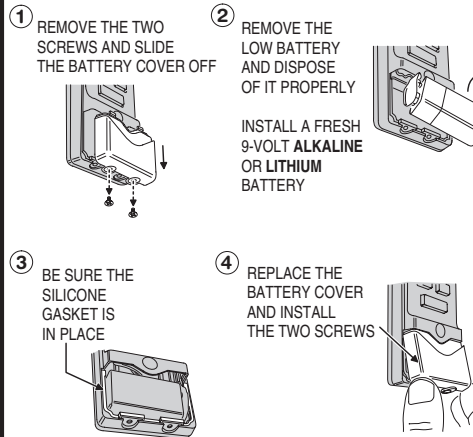
#### NIGHTTIME OPERATION

- PRESS START/STOP (LIGHTS KEYPAD)
- ENTER THE KEYPAD CODE
- PRESS START/STOP



NOTE: TO STOP OR REVERSE THE OPERATOR, THE START/STOP BUTTON CAN BE PRESSED AGAIN FOR UP TO 30 SECONDS WITHOUT RE-ENTERING THE CODE

### CHANGING BATTERIES



### LINEAR LIMITED WARRANTY

This Linear product is warranted against defects in material and workmanship for twelve (12) months. The Warranty Expiration Date is labeled on the product. This warranty extends only to wholesale customers who buy direct from Linear or through Linear's normal distribution channels. Linear does not warrant this product to consumers. Consumers should inquire from their selling dealer as to the nature of the dealer's warranty, if any. There are no obligations or liabilities on the part of Linear Corporation for consequential damages arising out of or in connection with use or performance of this product or other indirect damages with respect to loss of property, revenue, or profit, or cost of removal, installation, or reinstallation. All implied warranties, including implied warranties for merchantability and implied warranties for fitness, are valid only until Warranty Expiration Date as labeled on the product. This Linear Corporation Warranty is in lieu of all other warranties express or implied. All products returned for warranty service require a Return Product Authorization Number (RPA#). Contact Linear Technical Service at 1-800-421-1587 for an RPA# and other important details.

#### IMPORTANT !!!

Linear radio controls provide a reliable communications link and fill an important need in portable wireless signaling. However, there are some limitations which must be observed.

- For U.S. installations only: The radios are required to comply with FCC Rules and Regulations as Part 15 devices. As such, they have limited transmitter power and therefore limited range.
- A receiver cannot respond to more than one transmitted signal at a time and may be blocked by radio signals that occur on or near their operating frequencies, regardless of code settings.
- Changes or modifications to the device may void FCC compliance.
- Infrequently used radio links should be tested regularly to protect against undetected interference or fault.
- A general knowledge of radio and its vagaries should be gained prior to acting as a wholesale distributor or dealer, and these facts should be communicated to the ultimate users.